



FreeTouchMouse

Part. No.: TI005



FreeTouchMouse is an unique wireless mouse with touch sensitive top cover.

Features:

- » Stylish and unique design wireless touch mouse
- » The best ideal for notebook users
- » Optical tracking engine
- » Wireless 2.4 GHz FSK Auto-link technology
- » 6 – 10 m working range
- » 2 standard touch buttons + touch scrolling + DPI touch switch
- » With adjustable DPI 800 dpi/1200 dpi/1600 dpi
- » 3 level power saving mode
- » Nano receiver stowed on the mouse
- » Auto power saving mode

Specifications:

Interface	USB 1.1
Sensor Report Rate on Mouse	3000 times per second
Operation Angle	360 °C
Operation Distance	6 – 10 m for mouse
Sensor Light on Mouse	Red
Receiver Power Requirement	5 V DC from USB port
Hopping Type	FHSS (Frequency Hopping spread spectrum)
R F Frequency	2.4 Ghz (2.408 – 2.474 Ghz)
R F Modulation	FSK
R F Channel	34 Channels
R F Bandwidth	2.0 mHz



* The specifications and pictures are subject to change without notice.
 *All trade names referenced are the registered namework of their respective owners.



Made in China

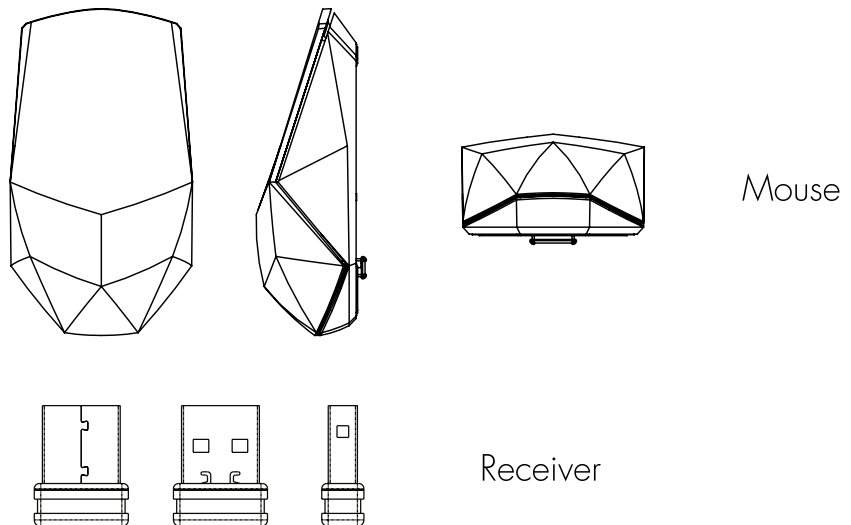


FreeTouchMouse

Part. No.: TI005

Speed of Transmit	2 Mbps
R F Output Power	0 dBm
Receive of Sensitive	-85 dBm
Resolutions	800 dpi/1200 dpi/1600 dpi
Sensor Tracking Speed	30+ inches / Second
Touch Buttons	2 mouse buttons + touch scrolling wheel + DPI touch switch
Weight	Mouse: 82 ± 5 g (battery included)
System requirement	Win 2000 / XP / Vista / 7 / 8 & MAC OS

Physical Characteristics:

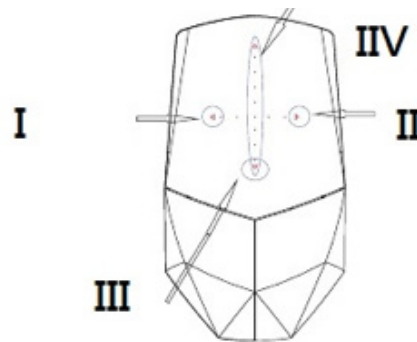




FreeTouchMouse

Part. No.: TI005

TouchPad functions:



Windows / Mac :

Single-finger click	Left button of mouse	Click I
Single-finger click	Right button of mouse	Click II
Double-finger up & down	Scroll up & scroll down	Switch between III and IIV
DPI Switch Button	800 dpi/1200 dpi/1600 dip	Click III

DPI Switch Button:

Single finger press the DPI switch button	LED	The DPI switch button
One time	Flash one time	800 dpi
Two times	Flash two times	1200 dpi
Third times	Flash three times	1600 dpi

Note:

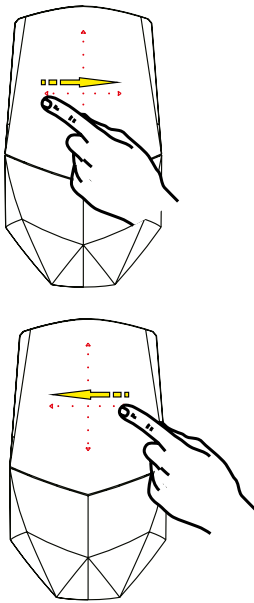
After the completion of DPI settings, LED indicator light will be off automatically.





FreeTouchMouse

Part. No.: TI005



The Function of Windows 8 O/S:

1. Single finger from left to right - Switching applications (WIN + Tab)
Or switch to the last application (WIN+ CTL+ Backspace)
2. Single finger from right to left - Open the application menu (WIN + Z)

Battery:

- » Battery type: two AAA alkaline batteries
- » Operating Mode: 12 mA
- » Sleep Mode 1: 0.58 mA
- » Sleep Mode 2: 0.25 mA
- » Sleep Mode 3: 160 uA

Reliability:

- » Reliability
- » The touchpad life: 100,000 cycles
- » Operating temperature: -5 – 40 °C
- » Operating humidity: 20 – 90 %

System Requirements:

- » Win2000 / Win XP / Vista / 7 / 8 & MAC OS



Package Contents:

- » 1x FreeTouchMouse
- » 1x Nano Receiver
- » 1x User Manual

Package Informations:

- » Packing Dimension: 107 x 102.5 x 116 mm
- » Packing Weight: 0.13 kg
- » Carton Dimension: 535 x 230 x 245 mm
- » Carton Q'ty: 20 pcs
- » Carton Weight: 3.1 kg

